

High End Gantry CNC

DYNESTIC 7532



PRODUCTIVITY AND PRECISION



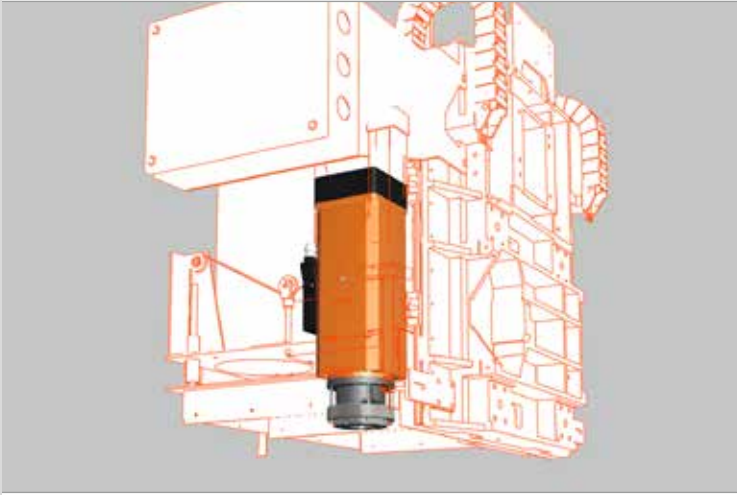
DYNESTIC 7532 – Nesting and much, much more

The DYNESTIC 7532 Gantry CNC Machine expands the limits for nesting technology to new dimensions. Solid machine construction and technology at the highest level ensure high production capacity and precisely produced work.

- Welded moving stands in gantry design – high rigidity, particularly stable for maximum loads.
- Two synchronized servo-drives in X direction.
- Covered, ground and hardened v-guides on all axes for exceptional precision and long service life.
- High dynamics and a vector speed of 100 m/min.
- High flow nesting table for optimum vacuum distribution.
- Selection of high power, precision milling spindles with 8 kW or 12 kW air cooled or 10 kW liquid cooled.

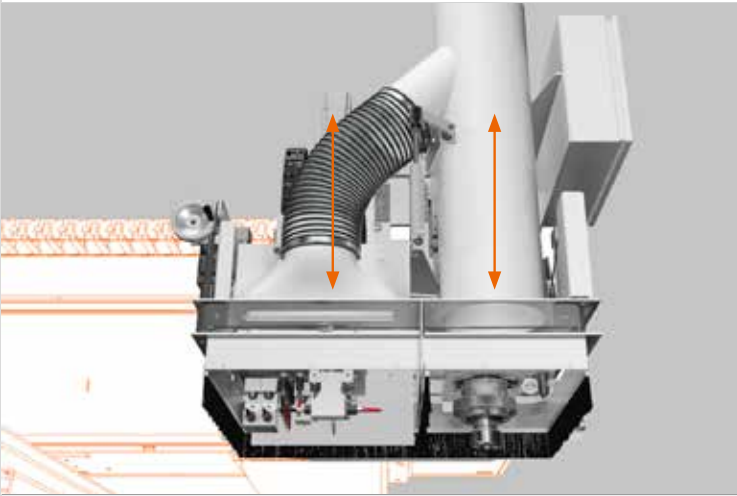


MACHINE HIGHLIGHTS



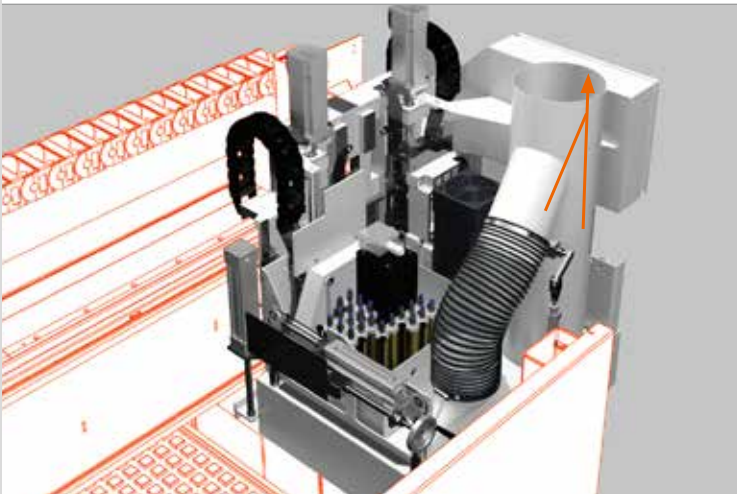
Hybrid bearing, precision milling spindle

- 8 kW of power (standard air cooled)
- Optional high power milling spindle:
 - 12 kW air cooled
 - 10 kW liquid cooled



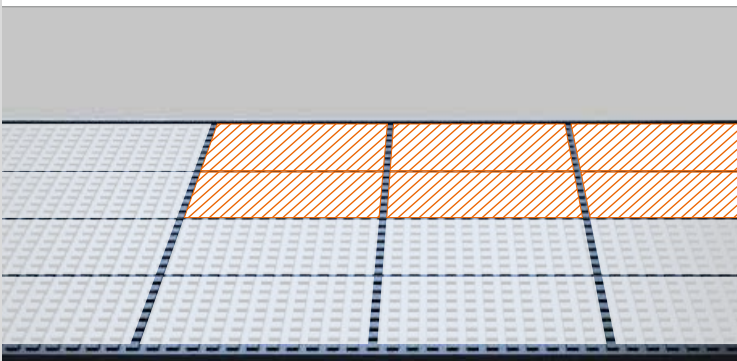
Maximum dynamics

With two Z axes and optimized evacuation for maximum dynamics.




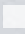
Intelligent evacuation management

With automatic switching from milling spindle to drilling unit.



High flow nesting

High flow nesting table with 1-field or 16-field vacuum – software controlled.

Field control:  active
 inactive

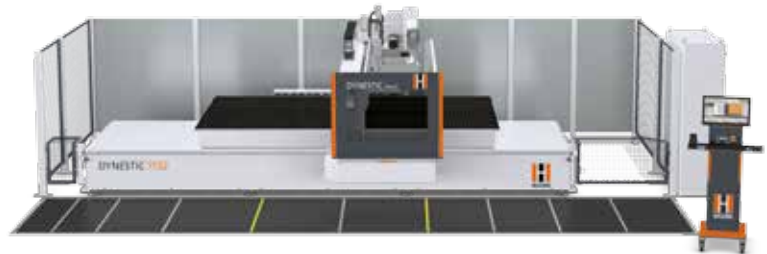
Perfectly designed for your application

You can select the individual machine classic by itself or as an automatic version.

The push version pushes the finished nest on to the conveyor belt and cleans the machine table for processing the next panel.

The automatic version is ideal for high performance – even for produce lots of 1 – in combination with the automatic HOLZ-HER STORE-MASTER 5110 panel handling system.

The DYNESTIC 7532 lift and standard elevating table guarantee highly efficient processing of complete stacks of panels.



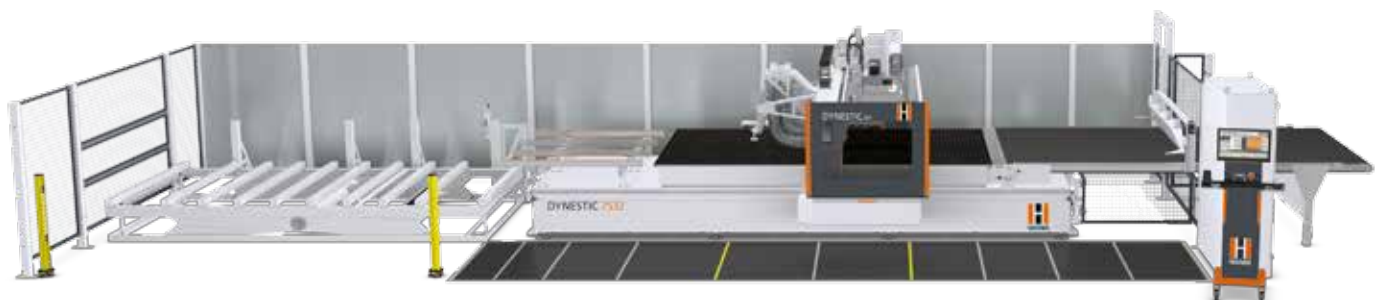
DYNESTIC 7532 classic



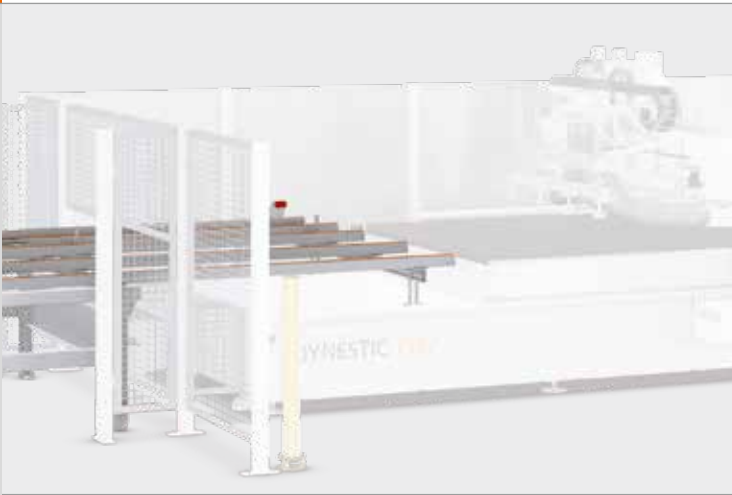
DYNESTIC 7532 push



DYNESTIC 7532 automatic



DYNESTIC 7532 lift



In-Feed area

- Entry roller belt with integrated belt conveyor. Perfect for combination with the STORE-MASTER 5110 panel handling system.
- Alternative solid scissors-type elevating table with light barrier control. Ideal for handling complete stacks of panels.



Charging unit

- Pull-in mechanism for automatically positioning the panel on the nesting table. Including automatic lateral positioning on stop bar.
- Optional with second vacuum circuit and additional suction cups for heavy material and various panel widths.



Discharge pusher

- Software controlled discharge pusher with integrated evacuation. Motor-driven height positioning for cleaning finished nest and wearing plate.
- Integrated under-floor evacuation at end of machine table.



Discharge area

- Discharge conveyor belt with light barrier control and foot pedal.
- Optional with motor-controlled dust collection over conveyor belt for cleaning panel surface.

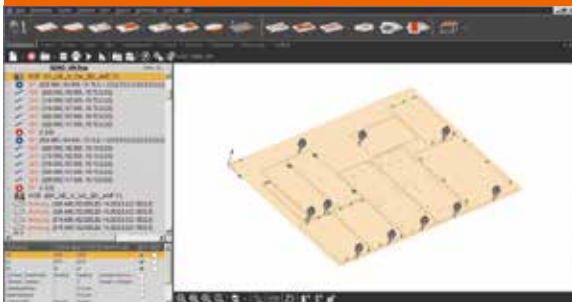
The Perfect Software Package for Nesting Work

- Effective and convenient programming with CAMPUS/NC-Hops software package.
- Integrated GUI including aCADemy CAD module. Also for professional DXF/DWG import to machine.
- HOLZ-HER BetterNest Software available for rectangular and free-form nesting with intelligent cutting optimization.
- The open software architecture allows a variety of import possibilities for linkage to third party software partners.



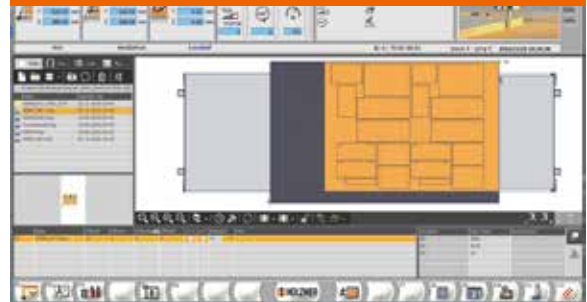
Perfect operation thanks to ergonomic control console and 21.5" monitor with 16:9 format.

Campus/NC-Hops



Extremely simple programming

Campus/NC-Hops



Job list

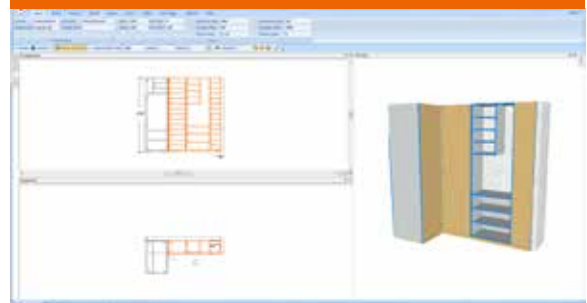
BetterNest



Rectangular nesting

Free-form nesting

CabinetControl



CabinetControl Base

Equipment Overview

Machine	DYNESTIC 7532 12.7 classic	DYNESTIC 7532 12.7 push	DYNESTIC 7532 12.7 automatic	DYNESTIC 7532 12.7 lift	Options
Machining dimensions in X direction	3700 mm	3700 mm	3700 mm	3700 mm	
Machining dimensions in Y direction	2200 mm	2200 mm	2200 mm	2200 mm	
Vector speed	100 m/min	100 m/min	100 m/min	100 m/min	
Cutter unit	8kW, air-cooled, 1000 – 24 000 rpm	8kW, air-cooled, 1000 – 24 000 rpm	8kW, air-cooled, 1000 – 24 000 rpm	8kW, air-cooled, 1000 – 24 000 rpm	12kW, air-cooled, 1000 – 24 000 rpm 10kW, liquid cooled, 1000 – 24 000 rpm
Drilling head L	Drilling head L 15 Spindles (9 V 6 H), incl. sawing unit for grooving in X direction	Drilling head L 15 Spindles (9 V 6 H), incl. sawing unit for grooving in X direction	Drilling head L 15 Spindles (9 V 6 H), incl. sawing unit for grooving in X direction	Drilling head L 15 Spindles (9 V 6 H), incl. sawing unit for grooving in X direction	Drilling head XL 19 Spindles (9 V 6 H), incl. sawing unit for grooving in X direction
Drilling head XL					Double drilling spindle in Y direction Vertical adapter with double positioning force Additional grooving saw in Y direction
Automation	x	x	Charging table with roller and belt conveyors	Lifting table with roller conveyors	
	x	x	Pull-in mechanism with lateral positioning	Pull-in mechanism with lateral positioning	
	x	Automatic discharge pusher with integrated evacuation	Automatic discharge pusher with integrated evacuation	Automatic discharge pusher with integrated evacuation	
	x	Discharge table with conveyor belt	Discharge table with conveyor belt	Discharge table with conveyor belt	
Workpiece support	High flow nesting table with continuous vacuum field	High flow nesting table with continuous vacuum field	High flow nesting table with continuous vacuum field	High flow nesting table with continuous vacuum field	16-field vacuum, software controlled
Safety equipment	Light grid	Light grid	Light grid	Light grid	3-field foot mat
Workpiece clamping	500 m³/h low maintenance, dry-running type vacuum pump	500 m³/h low maintenance, dry-running type vacuum pump	500 m³/h low maintenance, dry-running type vacuum pump	500 m³/h low maintenance, dry-running type vacuum pump	Additional, dry-run- ning type vacuum pump: 250 m³/h or 500 m³/h
Tool changer	14-position Pick-up tool changer with tool cover	14-position Pick-up tool changer with tool cover	14-position Pick-up tool changer with tool cover	14-position Pick-up tool changer with tool cover	1-position X/Y Pick-Up tool changer with tool cover 18-position traveling disk tool changer
Software	CAMPUS software machine licence package incl. aCADemy CAD/ CAM module and CabinetControl Base	CAMPUS software machine licence package incl. aCADemy CAD/ CAM module and CabinetControl Base	CAMPUS software machine licence package incl. aCADemy CAD/ CAM module and CabinetControl Base	CAMPUS software machine licence package incl. aCADemy CAD/ CAM module and CabinetControl Base	CAMPUS software office license BetterNest rectangular nesting BetterNest free-form nesting

Free space

Not possible

x

Optional

Standard

Product brochures and many
videos are available at
www.holzher.com

The technical data specified is intended for reference only. HOLZ-HER woodworking machines are subject to constant development and are therefore subject to modification without prior notice. Illustrations are non-binding. Some of the machines shown also contain special equipment not included as a standard feature. For clarity, some of the machines are shown without protective hood.

**HOLZ-HER GmbH**
Plochinger Straße 65
72622 Nürtingen
Germany
T +49 (0) 70 22 702-0
kontakt@holzher.com
www.holzher.com

HOLZ-HER

A member of the WEINIG Group